

PATRIOT®

BATTERY ACTUATED TOOL - HYDRAULIC SELF CONTAINED - 12 TON OUTPUT FORCE - T3 TECHNOLOGY

SPECIFICATIONS

CRIMP FORCE: 12 TONS (10.9 METRIC TONS)
 TOOL WEIGHT: 16.1 LBS (7.3 kg)
 LENGTH: 15.75 (40.00 cm)
 WIDTH: 3.25 (8.26 cm)
 HEIGHT: 14.75 (37.37 cm)
 OPERATING VOLTAGE: 18V-DC
 RECHARGE TIME: 30 MINUTES
 RAM OPENING: MINIMUM 1.653 (42 mm)

TOOL FEATURES AND BENEFITS

- REFINED HYDRAULIC SYSTEM FOR SUPERIOR PERFORMANCE, SPEED AND RELIABILITY.
- FIELD PROVEN ELECTRONICS FOR ULTIMATE RELIABILITY IN THE HARSHTEST ENVIRONMENTS.
- OVERMOLDED HANDLE FOR COMFORT AND IMPROVED GRIP; ALLOWS FOR ONE-HANDED OPERATION FOR ADVANCE, RETRACT AND HOLD.
- 18 VOLT LITHIUM-ION BATTERIES PROVIDE 2.5 TIMES MORE CHARGE / DISCHARGE CYCLES THAN TRADITIONAL Ni-Cd BATTERIES AND PROVIDE 430% MORE LIFETIME WORK.
- 30 MINUTE CHARGER CONTROLS CURRENT, VOLTAGE AND TEMPERATURE TO MAXIMIZE BATTERY LIFE. FORCED AIR COOLING FAN COOLS THE BATTERY BY FORCING COOL AIR THROUGH THE BATTERY'S BUILT-IN AIR VENTS.
- STATE OF THE ART CRIMPING HEAD DESIGN, 355° ROTATION LETS THE USER GET INTO TIGHT AREAS EASIER.
- ALLOWS USE OF STANDARD BURNDY® DIES ALREADY IN USE.
- ERGONOMICALLY BALANCED TOOL DESIGN EASES OPERATION AND HELPS LESSEN FATIGUE.
- DURABLE HIGH IMPACT FORMED CARRYING CASE PROVIDES SUPERIOR PROTECTION AND STORES ALL ACCESSORIES.
- 5 YEAR LIMITED WARRANTY ON THE TOOL, 3 YEAR LIMITED WARRANTY ON THE BATTERIES AND CHARGER.
- LIFETIME WARRANTY ON THE INFINITY® DRIVE.

T3 TECHNOLOGY FEATURES AND BENEFITS

TRACK

- ON-BOARD GPS CHIP TRACKS LATITUDE AND LONGITUDE.
- CAPTURES & MAPS CRIMP LOCATIONS WITH BURNDY T3 APP.
- RECORDS DATE AND TIME EVERY CRIMP WAS MADE.
- MONITOR JOB PROGRESS OR LOCATE POTENTIAL ISSUE CRIMPS.

TRACE

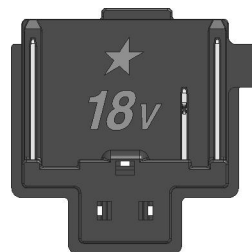
- RED/GREEN VERIFICATION LIGHT VALIDATES OUTPUT FORCE.
- ADD CUSTOM COMMENT TO ANY AND ALL CRIMPS IN APP.
- MANAGE AND SHARE T3 TOOLS WITH SECURE ACCOUNTS.
- GENERATE & CUSTOMIZE REPORTS TO SHARE WITH INSPECTORS.

TRANSMIT

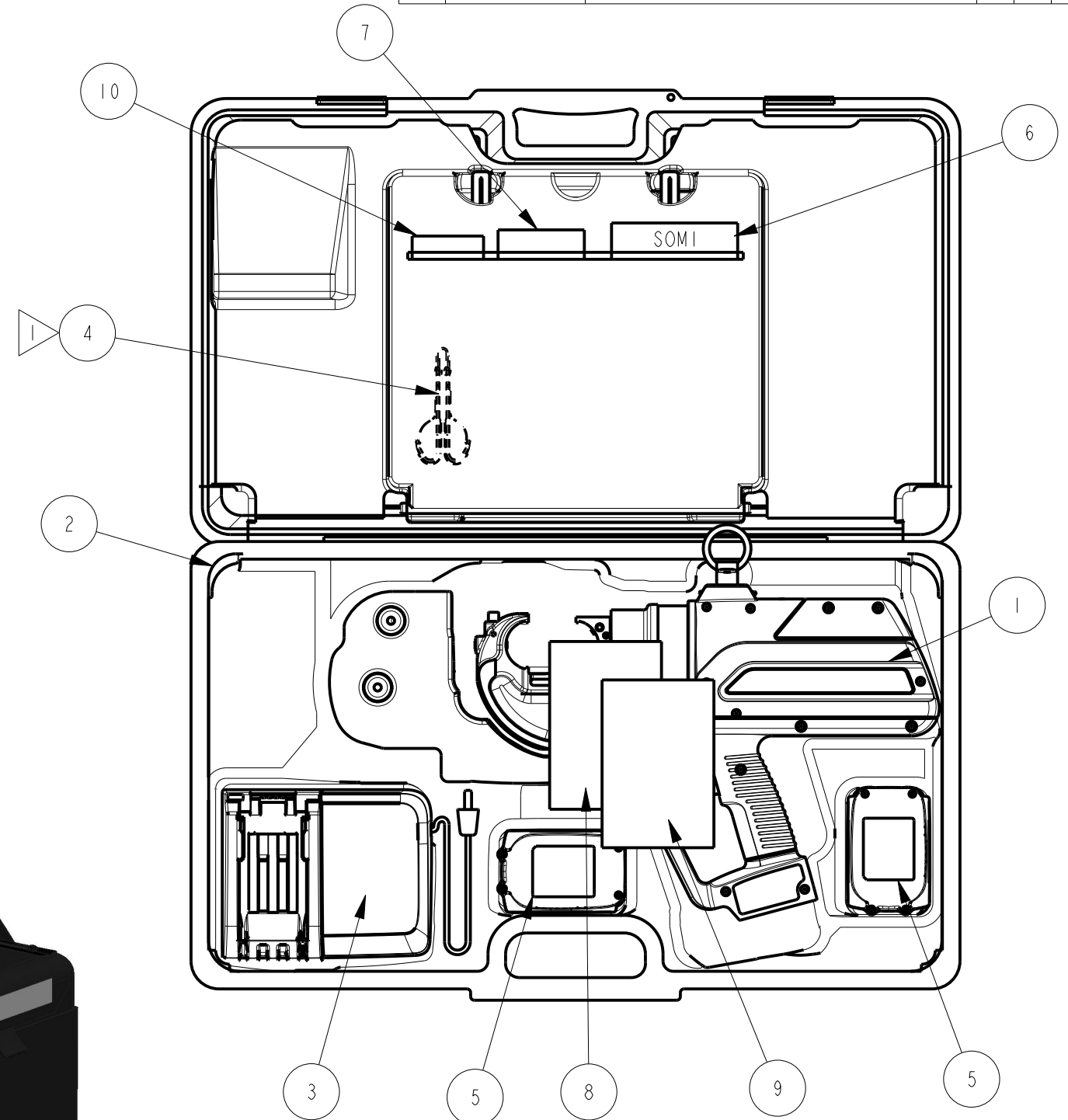
- BLUETOOTH® TECHNOLOGY CONNECTS TO PHONES AND TABLETS.
- DATA SENT TO CLOUD WITH AES 256-BIT ENCRYPTION.
- REMOTELY TRIGGER WORK LIGHT TO FIND TOOL IN THE DARK.
- FIRMWARE UPDATES AVAILABLE AS THEY ARE RELEASED.



PATPROBAG



REV.	DATE	DESCRIPTION	ECO	BY	C'H'K.
A	2019-12-05 00:00:00 EST	DRAWING RELEASED	52312	TRF	BW



NOTES:

- LANYARD IS STORED IN COMPARTMENT UNDER THE LID.
- TOOL ACCEPTS 18V MAKITA LITHIUM ION BATTERIES, BL SERIES OF SIZE 2.0 AHR AND GREATER. THE "STAR" MOLDED INTO THE BATTERY CLIP IDENTIFIES ACCEPTANCE OF THE BL SERIES BATTERIES.

TO ORDER BURNDY® PRODUCTS CALL

UNITED STATES:
1-800-346-4175 (LONDONDERRY, NH)

CANADA:
1-800-361-6975 (QUEBEC)
1-800-387-6487 (ALL OTHER PROVINCES)

FOR PRODUCT INFO: <http://www.burndy.com>

PAT750T3 KIT ASSEMBLY

ITEM NO: --	SCALE: 3:16
CAT. NO: SEE TABLE SHEET 2	DRAWING NO
DRAWN BY: T. FAUCHER 11/20/2019	REV
CHECKER: B. WHITE 11/20/2019	50106314
DSN APPVL: B. WHITE 12/03/2019	SHEET 1 OF 2
MFG APPVL: S. BURNS 12/04/2019	A
QA APPVL: G. REDFIELD 12/05/2019	
MKT APPVL: K. SCHAEFER 12/01/2019	
PROD FAM: TOOLS, BATTERY	
PROJECT #: NPD02306	
DOCUMENT TYPE: Sales	
REL LEVEL: Released	

EXAMPLE CATALOG NUMBER: PAT750T3U03A2

REV.	DATE	DESCRIPTION	ECO	BY	C'H'K.
A	2019-12-05 00:00:00 EST	DRAWING RELEASED	52312	TRF	BW

FIXED VALUE
 PAT750T3 U 03 A 2

HEAD TYPE					BATTERY					CHARGER					CASE				
CODE	ITEM NUMBER	CATALOG NO.	QTY	DESCRIPTION	CODE	ITEM NUMBER	CATALOG NO.	QTY	DESCRIPTION	CODE	ITEM NUMBER	CATALOG NO.	QTY	DESCRIPTION	CODE	ITEM NUMBER	CATALOG NO.	QTY	DESCRIPTION
U	50099521	PAT750T3U	1	UNCOVERED HEAD	00	--	--	0	NONE	0	--	--	0	NONE	0	--	--	0	NONE
C	50099522	PAT750T3C	1	COVERED HEAD	03	30001565	BAT18VLI	2	3 AH MAKITA LI	A	30001520	PATCHGRLI	1	AC	2	30003605	PATCASELI	1	HARD
					05	50056611	BAT18V5AHLI	2	5 AH MAKITA LI	D	30001522	PATCHGRLIDC	1	DC	3	50099346	PATPROBAG	1	NYLON

*** BILL OF MATERIAL ***			
PT NO.	CATALOG NO.	QTY	DESCRIPTION
1	PAT750T3U	1	PAT750 WITH T3 TECH TOOL BODY - UNCOVERED HEAD
2	PATCASELI	1	CASE, TOOL PATRIOT® LITHIUM ION
3	PATCHGRLI	1	CHARGER, BATTERY LITHIUM ION
4	PT208620	1	LANYARD
5	BAT18VLI	2	BATTERY, MAKITA LITHIUM ION 18V 3.0 Ah
6	PAT750T3SOMI	1	SOMI, PAT750T3
7	PT20443801	1	WARRANTY CARD
8	PT3QUICKSTART	1	QUICKSTART GUIDE, T3
9	PT3REGWARNING	1	REGISTRATION WARNING T3
10	LISDS	1	SDS, LITHIUM ION BATTERY

REV: PE0200

TO ORDER BURNDY® PRODUCTS CALL		PAT750T3 KIT ASSEMBLY	
UNITED STATES: 1-800-346-4175 (LONDONDERRY, NH)		ITEM NO: --	
CANADA: 1-800-361-6975 (QUEBEC)		CAT. NO: SEE TABLE	
1-800-387-6487 (ALL OTHER PROVINCES)		DRAWN BY: T. FAUCHER 11/20/2019	
FOR PRODUCT INFO: http://www.burndy.com		CHECKER: B. WHITE 11/20/2019	
		DSN APPVL: B. WHITE 12/03/2019	
		MFG APPVL: S. BURNS 12/04/2019	
		QA APPVL: G. REDFIELD 12/05/2019	
		MKT APPVL: K. SCHAEFER 12/01/2019	
		SCALE: 3:16	
		DRAWING NO	
		PROJECT #: NPD02306	
		SIZE	
		DOCUMENT TYPE: Sales	
		REL LEVEL: Released	
		DRAWING NO	
		50106314	
		REV	
		A	
		SHEET 2 OF 2	

